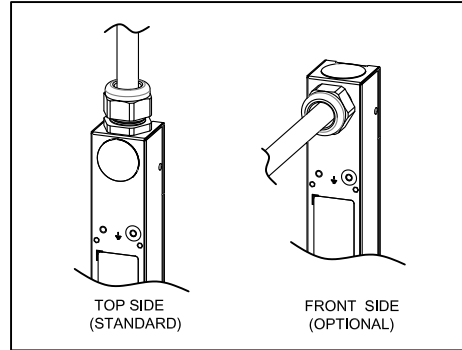
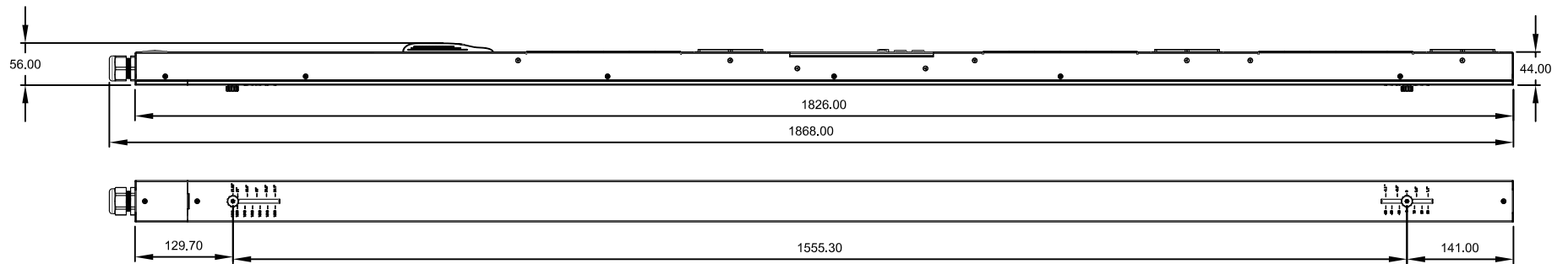
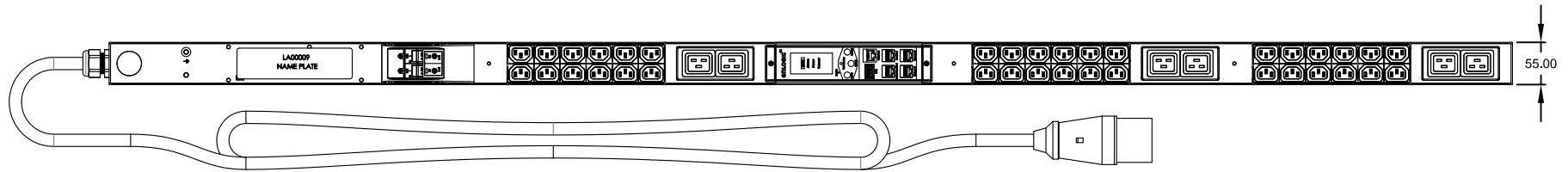
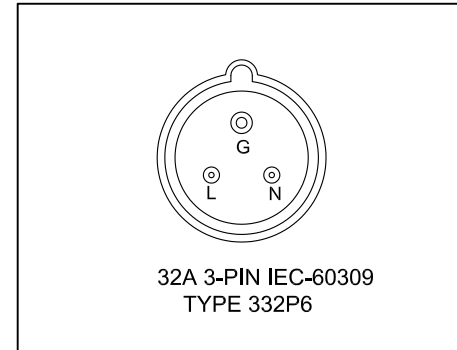


THE INFORMATION CONTAINED IN THIS DRAWING IS THE SOLE PROPERTY OF ENLOGIC. ANY REPRODUCTION IN PART OR WHOLE WITHOUT WRITTEN PERMISSION OF ENLOGIC IS PROHIBITED.

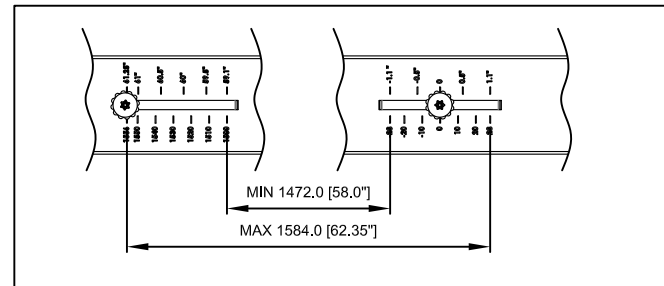
### INPUT POWER CORD FIELD REWIREABLE



### PLUG DETAIL



### ADJUSTABLE TOOLLESS INSTALLATION PEGS



#### NOTES:

- UNLESS OTHERWISE SPECIFIED, ALL DIMENSIONS ARE IN MM[IN]
- SEE PRODUCT OVERVIEW AND SPECIFICATIONS SHEET FOR FURTHER INFORMATION
- STANDARD INPUT POWER CORD LENGTH IS 3000MM[118.0IN]
- DETAILED INSTALLATION INSTRUCTIONS CAN BE FOUND IN THE QUICK START GUIDE
- BRACKET KITS TO MOUNT TO SPECIFIC RACKS & ENCLOSURES ARE AVAILABLE AS OPTIONS
- CONNECT SUPPLEMENTARY EXTERNAL EARTH GROUND TO THE M5 SIZE THREADED NUT

UNLESS NOTED, DIMENSIONS IN MILLIMETERS & TOLERANCES ARE: X ± 1 MM X.X ± 0.5 MM X.XX ± 0.20 MM ØX.XX ± 0.10 MM	X <sup>0</sup> ± 10 X.X <sup>0</sup> ± 0.5 <sup>0</sup>
BRACKETED DIMENSIONS ARE IN INCHES FOR REFERENCE ONLY	
THIRD ANGLE PROJECTION	
INTERPRET PER ASME Y14.5M-2014	

DESIGNER & DATE:	<b>enLOGIC</b>
CHECKER & DATE:	
STANDARDIZATION & DATE:	DESCRIPTION: <b>TOP ASSEMBLY EN1113</b>
APPROVER & DATE:	P/N: <b>TA-EN1113</b>
ITEM WEIGHT (REFERENCE ONLY): g	REV: 1
SCALE: 1:6 (NO NET SCALE DRAWING)	SIZE: A3
SHEET 1 OF 1	