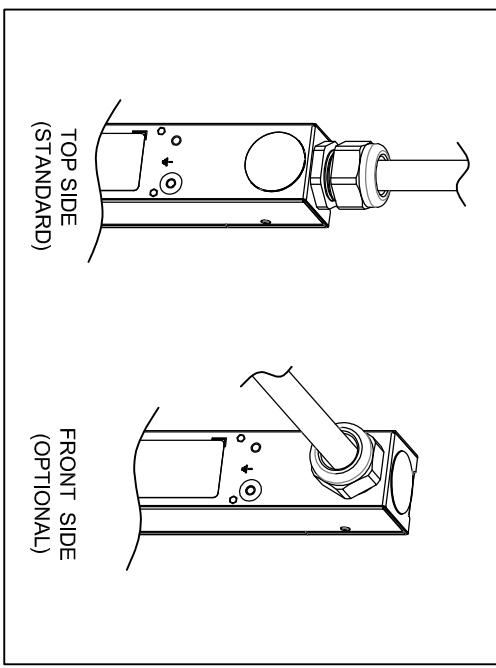
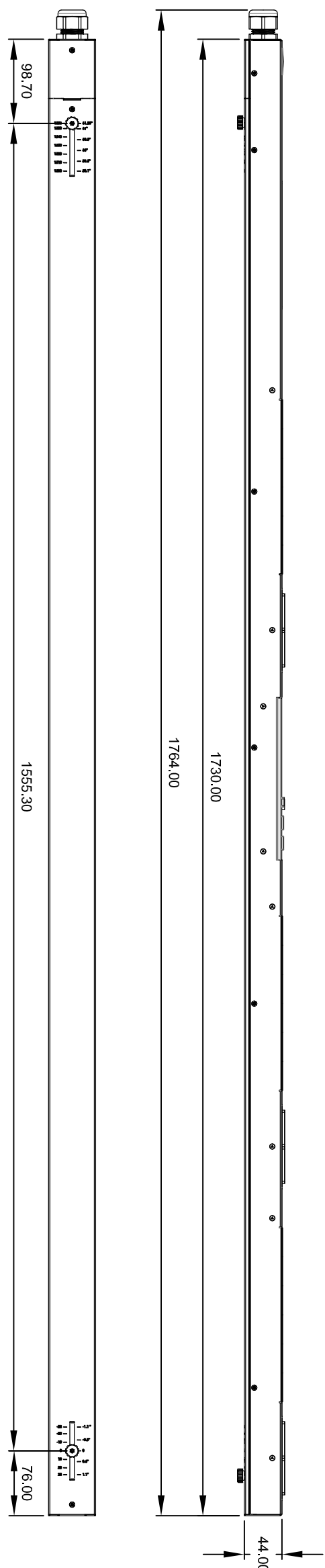
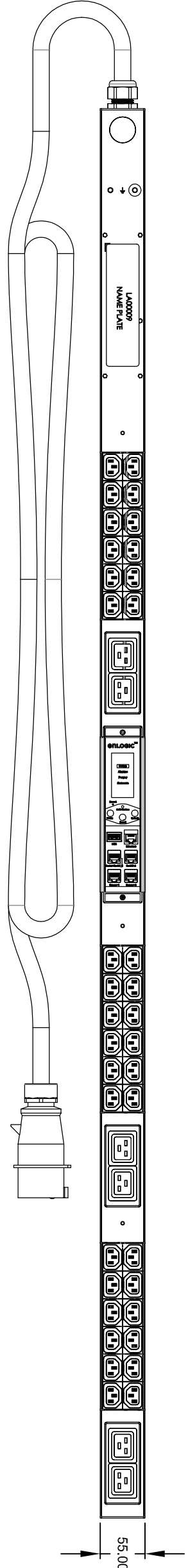
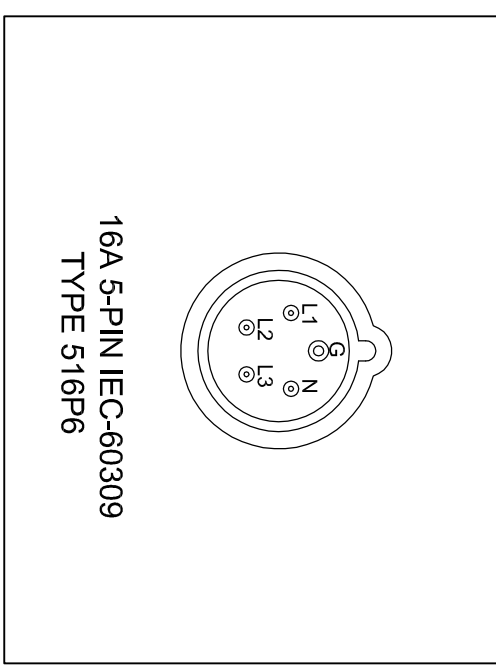


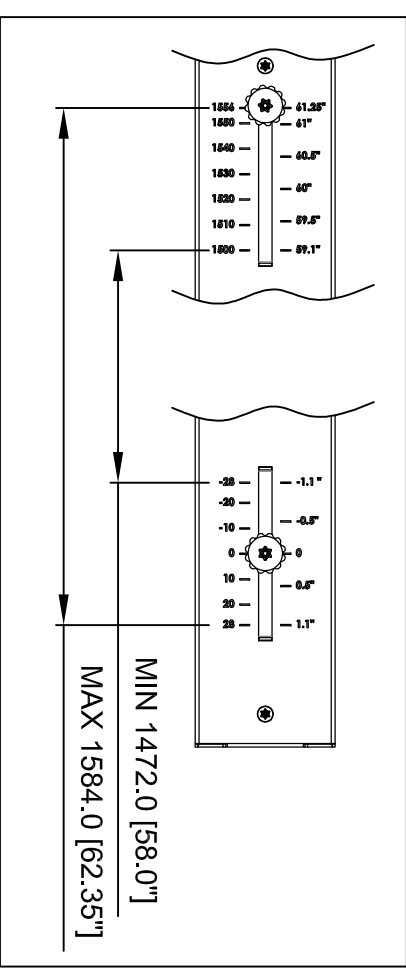
2 INPUT POWER CORD  
FIELD REWIREABLE



5 PLUG DETAIL



ADJUSTABLE TOOLLESS  
INSTALLATION PEGS



- NOTES:
1. UNLESS OTHERWISE SPECIFIED, ALL DIMENSIONS ARE IN MM(IN)
  2. SEE PRODUCT OVERVIEW AND SPECIFICATIONS SHEET FOR FURTHER INFORMATION
  3. STANDARD INPUT POWER CORD LENGTH IS 3000MM(118.0IN)
  4. DETAILED INSTALLATION INSTRUCTIONS CAN BE FOUND IN THE QUICK START GUIDE
  5. BRACKET KITS TO MOUNT TO SPECIFIC RACKS & ENCLOSURES ARE AVAILABLE AS OPTIONS
  6. CONNECT SUPPLEMENTARY EXTERNAL EARTH GROUND TO THE M5 SIZE THREADED NUT

UNLESS NOTED, DIMENSIONS IN MILLIMETERS & TOLERANCES ARE: X.X ± 0.15 MM X.XX ± 0.05 MM 0X.XX ± 0.10 MM

BRACKETED DIMENSIONS ARE IN INCHES FOR REFERENCE ONLY.

DESIGNER & DATE	CHECKER & DATE	DESCRIPTION
APPROVER & DATE	STANDARDIZATION & DATE	TOP ASSEMBLY EN1119
ITERATION/REFERENCE ONLY		TA-EN1119

SCALE: 1:5 (NO UNIT SCALE CHANGE)

SHEET 1 OF 1

