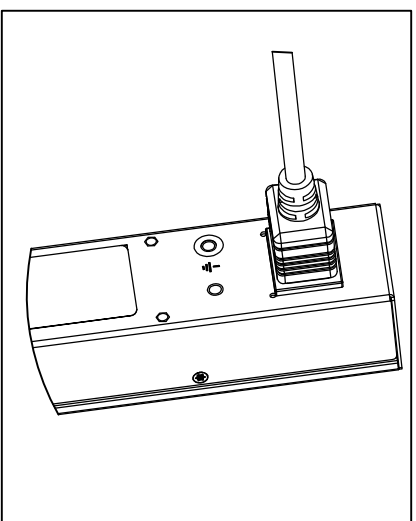
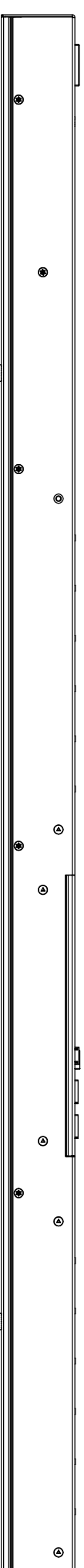
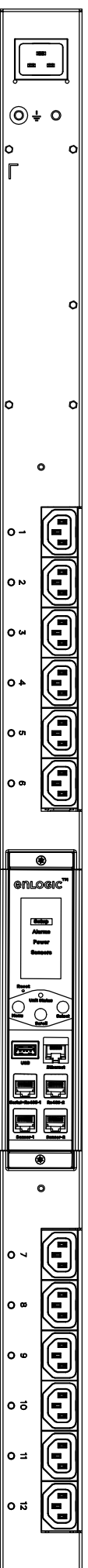
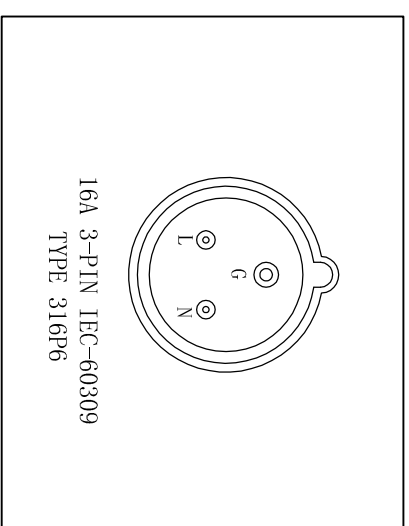


THE INFORMATION CONTAINED IN THIS DRAWING IS THE SOLE PROPERTY OF ENLOGIC ELECTRIC. ANY REPRODUCTION IN PART OR WHOLE WITHOUT WRITTEN PERMISSION OF ENLOGIC ELECTRIC IS PROHIBITED.

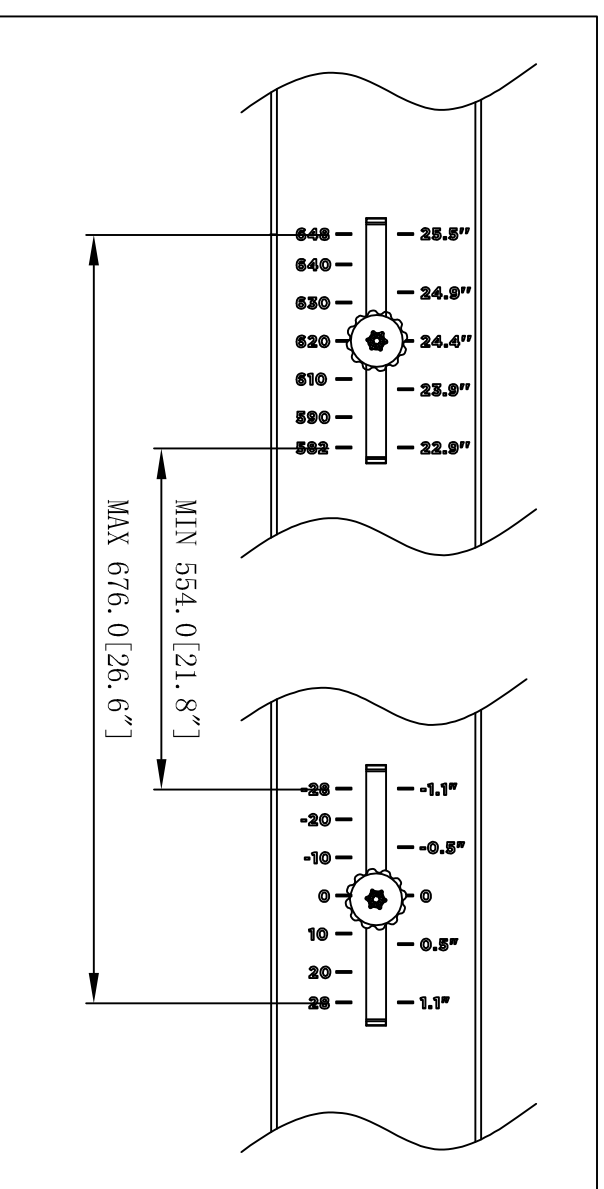
INPUT POWER CORD
FIELD REMOVABLE



PLUG DETAIL



ADJUSTABLE TOOLLESS INSTALLATION PEGS



- NOTES:
1. UNLESS OTHERWISE SPECIFIED, ALL DIMENSIONS ARE IN MM(IN)
 2. SEE PRODUCT OVERVIEW AND SPECIFICATIONS SHEET FOR FURTHER INFORMATION
 3. STANDARD INPUT POWER CORD LENGTH IS 3000MM(118.0IN)
 4. DETAILED INSTALLATION INSTRUCTIONS CAN BE FOUND IN THE QUICK START GUIDE
 5. BRACKET KITS TO MOUNT TO SPECIFIC RACKS & ENCLOSURES ARE AVAILABLE AS OPTIONS
 6. CONNECT SUPPLEMENTARY EXTERNAL EARTH GROUND TO THE M5 SIZE THREADED NUT

UNLESS NOTED, DIMENSIONS IN MILLIMETERS & TOLERANCES ARE:

X	± 1.0	MM	± 0.05	IN
XX	± 0.5	MM	± 0.02	IN
XXX	± 0.25	MM	± 0.01	IN
XXXX	± 0.10	MM	± 0.005	IN

BRACKETED DIMENSIONS ARE IN INCHES FOR REFERENCE ONLY.

INTERPRET PER ASME Y14.5-1994

THIRD ANGLE PROJECTION

DESIGNER & DATE	REVISOR & DATE	DESCRIPTION	SCALE
CHECKER & DATE	APPROVER & DATE	TOP ASSEMBLY EN2101	1:4 (NO NET SCALE DRAWING)
STANDARDIZATION & DATE		enLOGIC	SHEET 1 OF 1
OTHER INFORMATION		TA-EN2101	