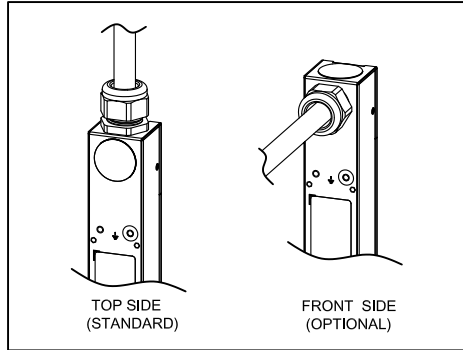
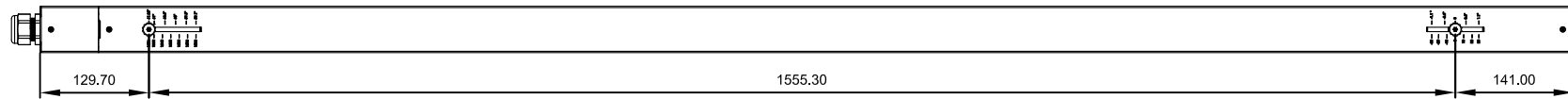
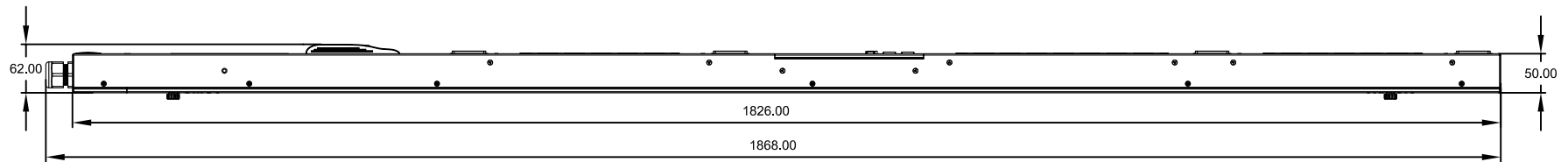
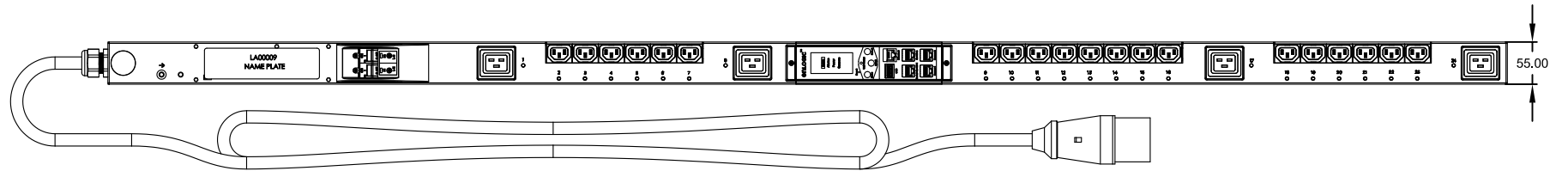
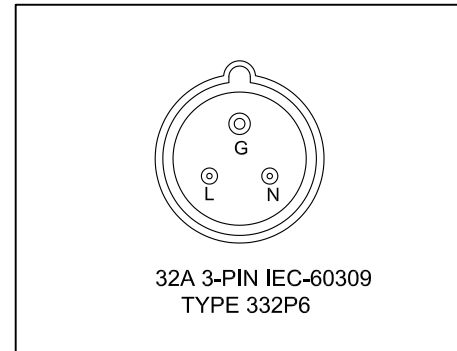


THE INFORMATION CONTAINED IN THIS DRAWING IS THE SOLE PROPERTY OF ENLOGIC. ANY REPRODUCTION IN PART OR WHOLE WITHOUT WRITTEN PERMISSION OF ENLOGIC IS PROHIBITED.

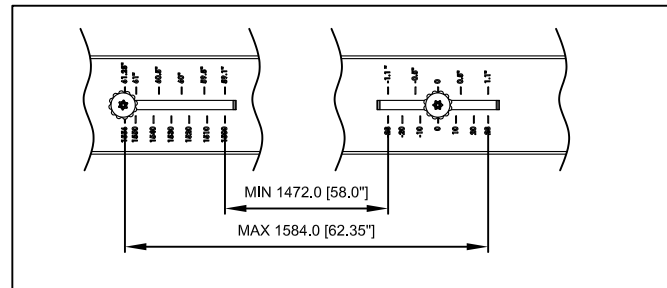
INPUT POWER CORD FIELD REWIREABLE



PLUG DETAIL



ADJUSTABLE TOOLLESS INSTALLATION PEGS



NOTES:

- UNLESS OTHER SPECIFIED, ALL DIMENSIONS ARE IN MM[IN]
- SEE PRODUCT OVERVIEW AND SPECIFICATIONS SHEET FOR FURTHER INFORMATION
- STANDARD INPUT POWER CORD LENGTH IS 3000MM[118.0IN]
- DETAILED INSTALLATION INSTRUCTIONS CAN BE FOUND IN THE QUICK START GUIDE
- BRACKET KITS TO MOUNT TO SPECIFIC RACKS & ENCLOSURES ARE AVAILABLE AS OPTIONS
- CONNECT SUPPLEMENTARY EXTERNAL EARTH GROUND TO THE M5 SIZE THREADED NUT

UNLESS NOTED, DIMENSIONS IN MILLIMETERS & TOLERANCES ARE: X ± 1 MM X.X ± 0.5 MM X.XX ± 0.20 MM ØX.XX ± 0.5 MM BRACKETED DIMENSIONS ARE IN INCHES FOR REFERENCE ONLY		X° ± 1° X.X° ± 0.5° X.XX° ± 0.10°	
DESIGNER & DATE:		enLOGIC	
CHECKER & DATE:		DESCRIPTION:	
STANDARDIZATION & DATE:		TOP ASSEMBLY EN2113	
APPROVER & DATE:		PART:	
ITEM WEIGHT (REFERENCE ONLY):		TA-EN2113	
THIRD ANGLE PROJECTION		REV:	
INTERPRET PER ASME Y14.20-1994		SCALE 1:6 (DO NOT SCALE DRAWING)	

enLOGIC	
DESCRIPTION:	
TOP ASSEMBLY EN2113	
PART:	
TA-EN2113	
REV:	
SCALE 1:6 (DO NOT SCALE DRAWING)	
SIZE: A3	SHEET 1 OF 1