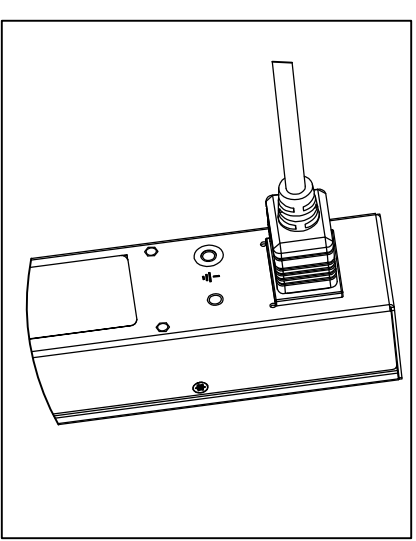
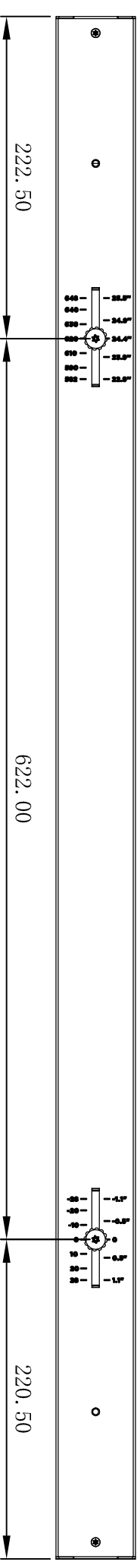
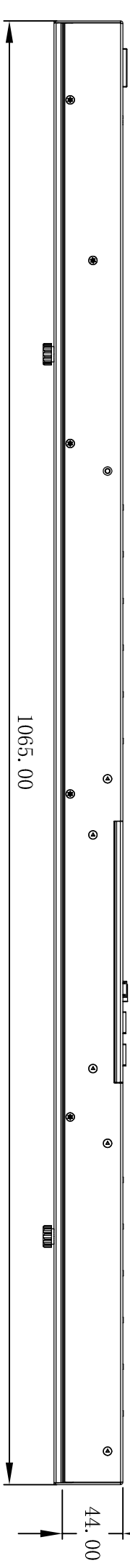
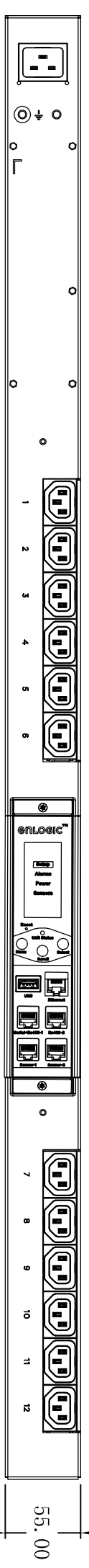
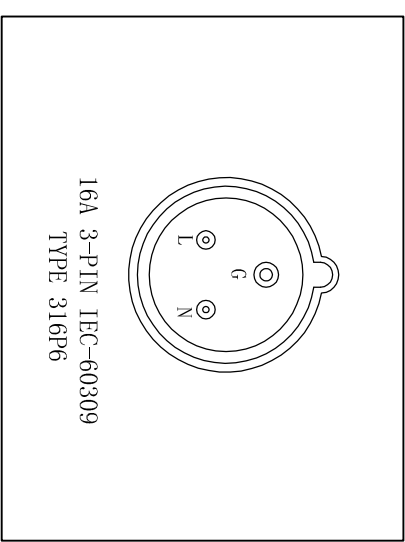


THE INFORMATION CONTAINED IN THIS DRAWING IS THE SOLE PROPERTY OF ENLOGIC ELECTRIC. ANY REPRODUCTION IN PART OR WHOLE WITHOUT WRITTEN PERMISSION OF ENLOGIC ELECTRIC IS PROHIBITED.

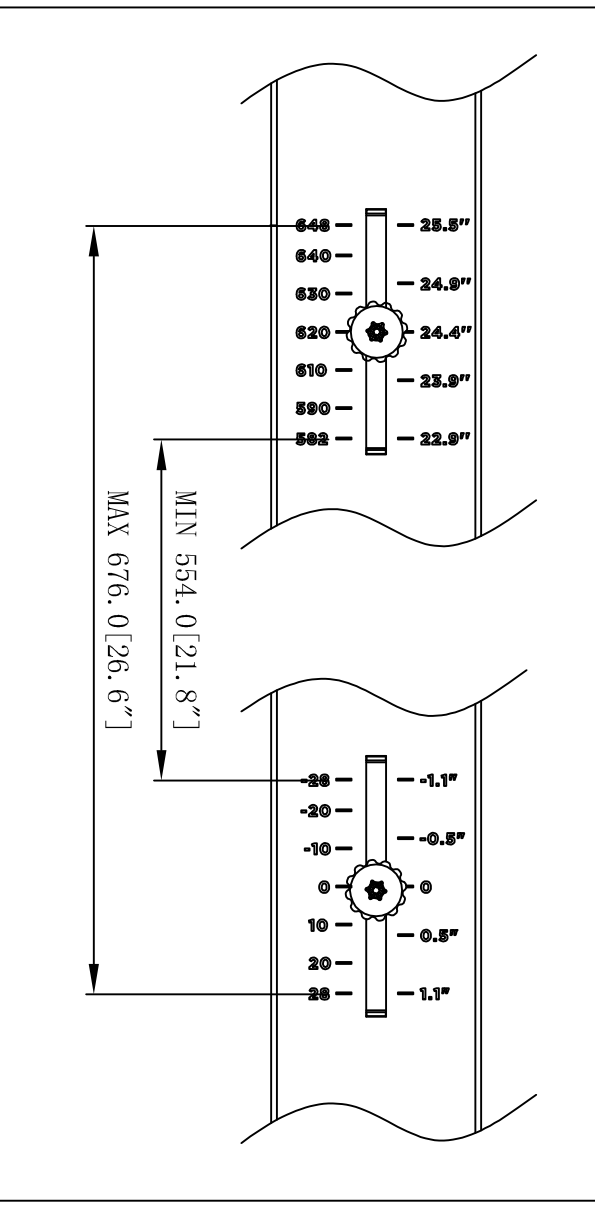
INPUT POWER CORD
FIELD REMOVABLE



PLUG DETAIL



ADJUSTABLE TOOLLESS INSTALLATION PEGS



- NOTES:
- UNLESS OTHERWISE SPECIFIED, ALL DIMENSIONS ARE IN MM(IN)
 - SEE PRODUCT OVERVIEW AND SPECIFICATIONS SHEET FOR FURTHER INFORMATION
 - STANDARD INPUT POWER CORD LENGTH IS 3000MM(118.0IN)
 - DETAILED INSTALLATION INSTRUCTIONS CAN BE FOUND IN THE QUICK START GUIDE
 - BRACKET KITS TO MOUNT TO SPECIFIC RACKS & ENCLOSURES ARE AVAILABLE AS OPTIONS
 - CONNECT SUPPLEMENTARY EXTERNAL EARTH GROUND TO THE M5 SIZE THREADED NUT

TOP ASSEMBLY ENV5101	
P/N TA-ENV5101	REV. 001
SCALE: 1:4 (DO NOT SCALE DRAWING)	SHEET 1 OF 1

UNLESS NOTED, DIMENSIONS IN MILLIMETERS & TOLERANCES ARE:	DECIMALS & FRACTIONS
X.X ± 0.5 MM	1/16" ± 1/32"
X.XX ± 0.25 MM	1/32" ± 1/64"
0.XXX ± 0.10 MM	0.015" ± 0.001"
BRACKETED DIMENSIONS ARE IN INCHES FOR REFERENCE ONLY.	VIEW REFERENCE ONLY
INTERPRET PER ASME Y14.5M-1994	9