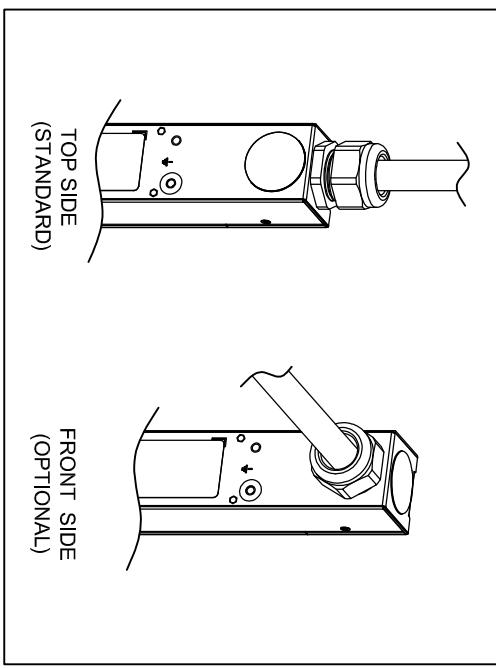
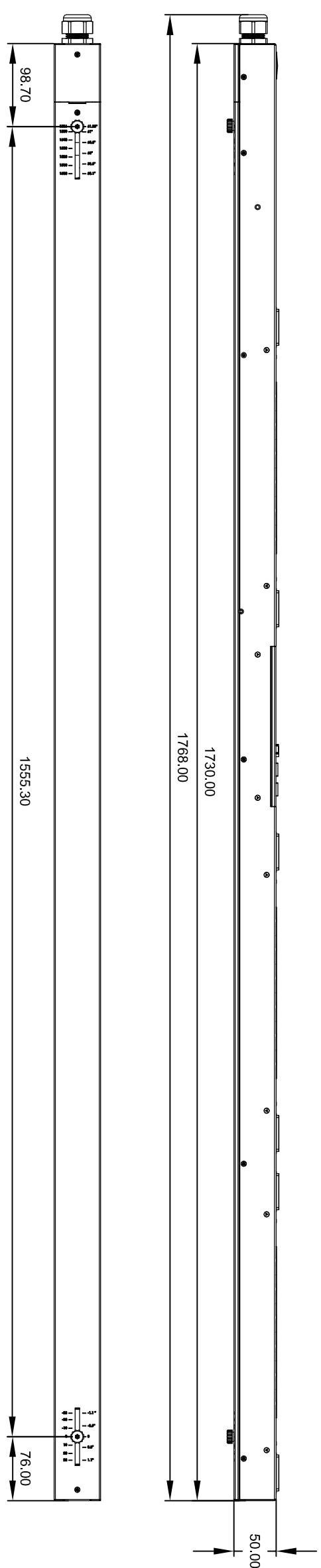
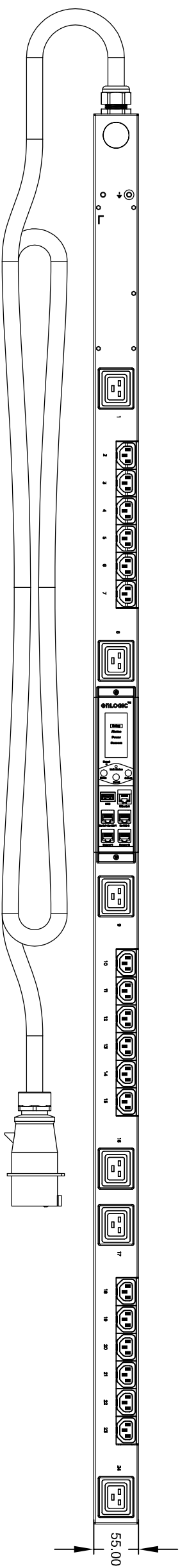
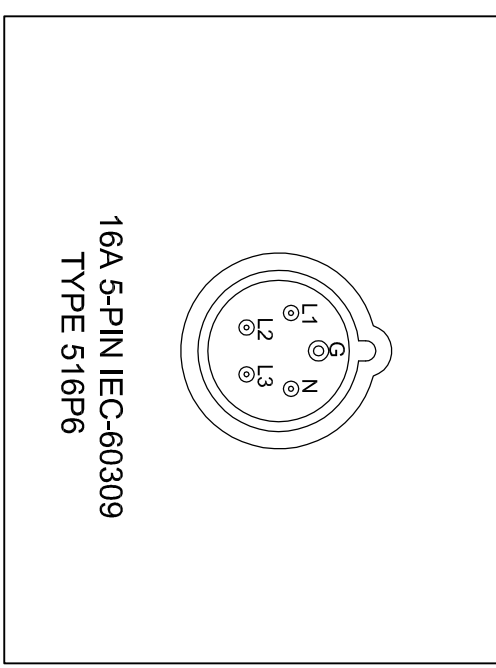


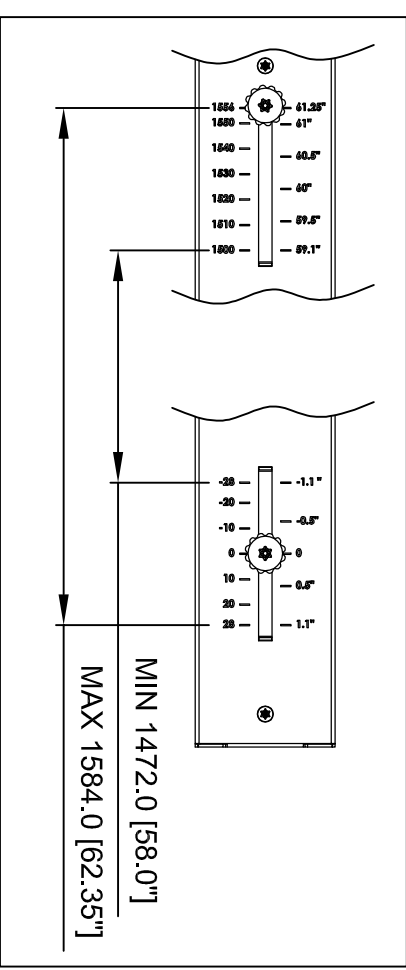
2 INPUT POWER CORD
FIELD REWIREABLE



5 PLUG DETAIL



ADJUSTABLE TOOLLESS
INSTALLATION PEGS



- NOTES:
1. UNLESS OTHERWISE SPECIFIED, ALL DIMENSIONS ARE IN MM(IN)
 2. SEE PRODUCT OVERVIEW AND SPECIFICATIONS SHEET FOR FURTHER INFORMATION
 3. STANDARD INPUT POWER CORD LENGTH IS 3000MM(118.0IN)
 4. DETAILED INSTALLATION INSTRUCTIONS CAN BE FOUND IN THE QUICK START GUIDE
 5. BRACKET KITS TO MOUNT TO SPECIFIC RACKS & ENCLOSURES ARE AVAILABLE AS OPTIONS
 6. CONNECT SUPPLEMENTARY EXTERNAL EARTH GROUND TO THE M5 SIZE THREADED NUT

<p>UNLESS NOTED, DIMENSIONS IN MILLIMETERS & TOLERANCES ARE: X.X ± 1.0 MM X.X ± 0.5 MM X.X ± 0.25 MM XX.X ± 0.5 MM XX.X ± 0.25 MM XX.X ± 0.10 MM INCHES FOR REFERENCE ONLY</p>		<p>DESIGNER & DATE</p>
<p>BRACKETED DIMENSIONS ARE IN INCHES FOR REFERENCE ONLY</p>		<p>CHECKER & DATE</p>
<p>INTERPRET PER ASME Y14.5M-1994</p>		<p>STANDARDIZATION & DATE</p>
<p>APPROVER & DATE</p>		<p>TITLE/VIEW/REFERENCE ONLY</p>
<p>SCALE: 1:5 (NO UNIT SCALE CHANGE)</p>		<p>DATE: 11/14/2014</p>
<p>TA-EN5110</p>		<p>REV: 9</p>
<p>TOP ASSEMBLY EN5110</p>		<p>SHEET 1 OF 1</p>

