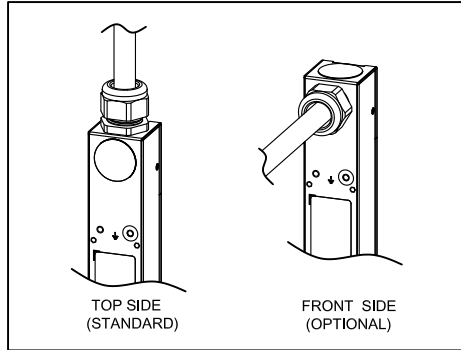
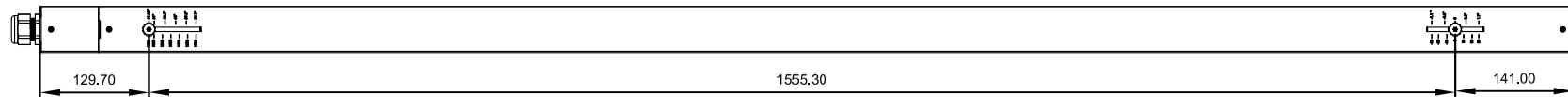
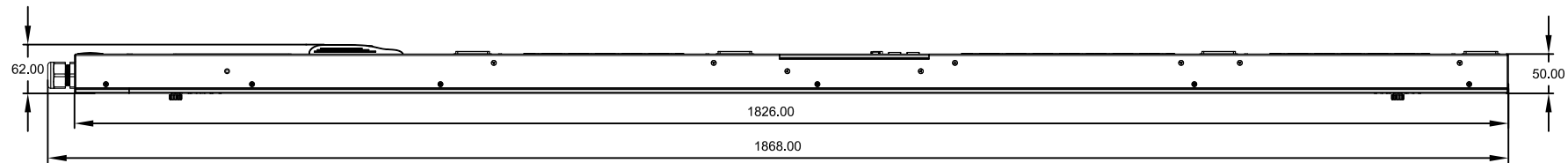
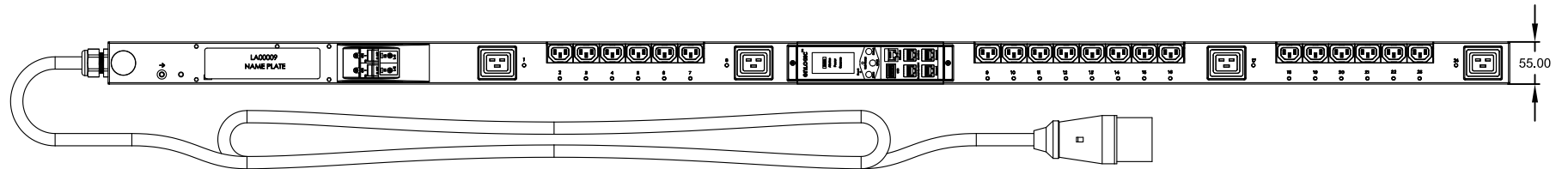
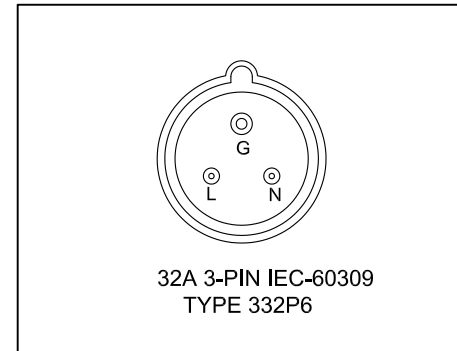


THE INFORMATION CONTAINED IN THIS DRAWING IS THE SOLE PROPERTY OF ENLOGIC. ANY REPRODUCTION IN PART OR WHOLE WITHOUT WRITTEN PERMISSION OF ENLOGIC IS PROHIBITED.

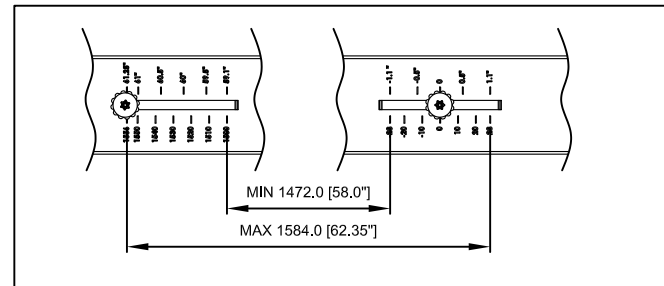
### INPUT POWER CORD FIELD REWIREABLE



### PLUG DETAIL



### ADJUSTABLE TOOLLESS INSTALLATION PEGS



#### NOTES:

- UNLESS OTHERWISE SPECIFIED, ALL DIMENSIONS ARE IN MM/[IN]
- SEE PRODUCT OVERVIEW AND SPECIFICATIONS SHEET FOR FURTHER INFORMATION
- STANDARD INPUT POWER CORD LENGTH IS 3000MM[118.0IN]
- DETAILED INSTALLATION INSTRUCTIONS CAN BE FOUND IN THE QUICK START GUIDE
- BRACKET KITS TO MOUNT TO SPECIFIC RACKS & ENCLOSURES ARE AVAILABLE AS OPTIONS
- CONNECT SUPPLEMENTARY EXTERNAL EARTH GROUND TO THE M5 SIZE THREADED NUT

UNLESS NOTED, DIMENSIONS IN MILLIMETERS & TOLERANCES ARE:  
 X ± 1 MM  
 X.X ± 0.5 MM  
 X.XX ± 0.20 MM  
 ØX.XX ± 0.5 MM  
 ØX.XX ± 0.10 MM  
 BRACKETED DIMENSIONS ARE IN INCHES FOR REFERENCE ONLY

DESIGNER & DATE:  
 CHECKER & DATE:  
 STANDARDS/REVISION & DATE:  
 APPROVER & DATE:  
 ITEM WEIGHT REFERENCE ONLY:  
 g

**enLOGIC**  
 DESCRIPTION:  
**TOP ASSEMBLY EN6113**  
 P/N:  
**TA-EN6113**  
 REV:  
 SCALE 1:6 (DO NOT SCALE DRAWING) SIZE: A3 SHEET 1 OF 1

INTERPRET PER ASME Y14.20-1994