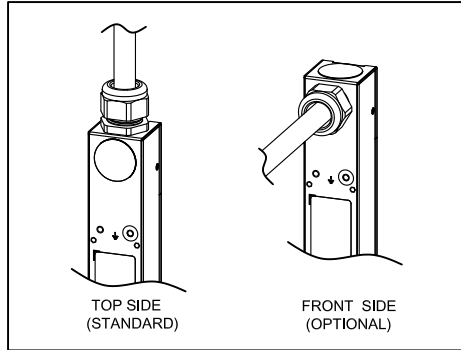
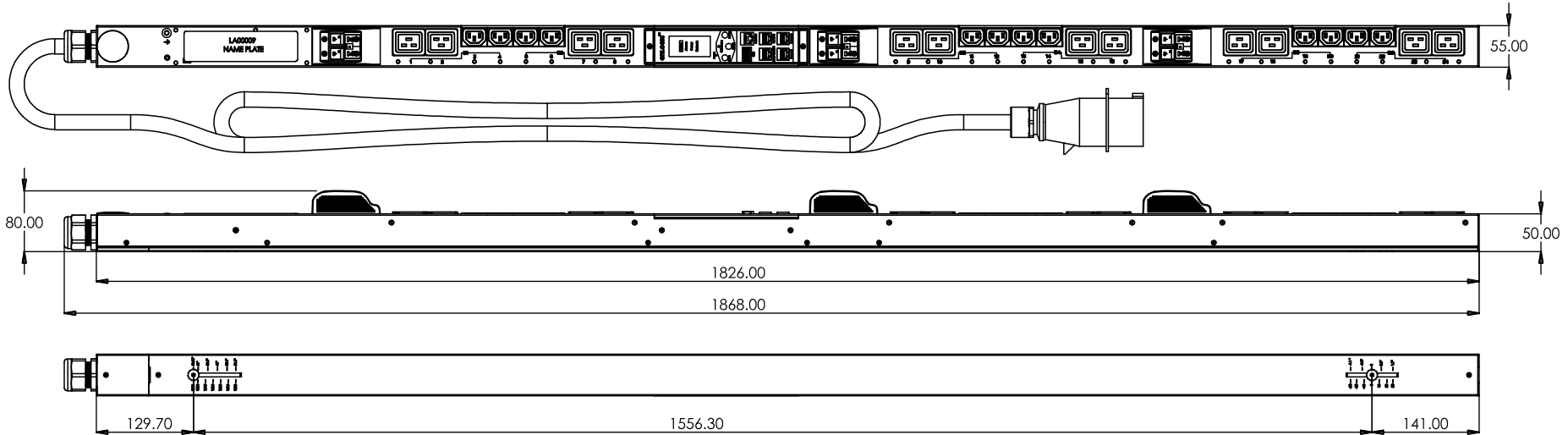
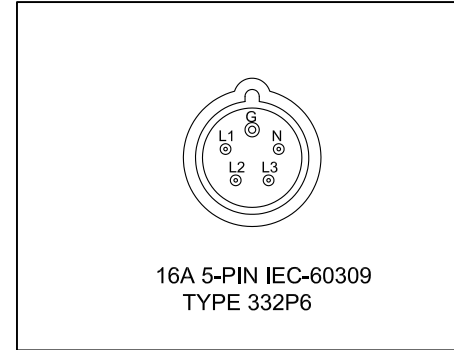


THE INFORMATION CONTAINED IN THIS DRAWING IS THE SOLE PROPERTY OF ENLOGIC. ANY REPRODUCTION IN PART OR WHOLE WITHOUT WRITTEN PERMISSION OF ENLOGIC IS PROHIBITED.

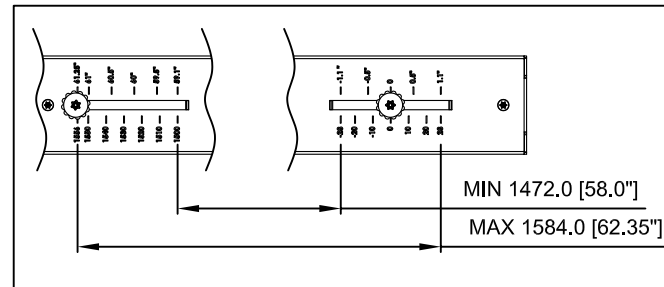
INPUT POWER CORD FIELD REWIREABLE



PLUG DETAIL



ADJUSTABLE TOOLLESS INSTALLATION PEGS



- NOTES:
- UNLESS OTHER SPECIFIED, ALL DIMENSIONS ARE IN MM[IN]
 - SEE PRODUCT OVERVIEW AND SPECIFICATIONS SHEET FOR FURTHER INFORMATION
 - STANDARD INPUT POWER CORD LENGTH IS 3000MM[118.0IN]
 - DETAILED INSTALLATION INSTRUCTIONS CAN BE FOUND IN THE QUICK START GUIDE
 - BRACKET KITS TO MOUNT TO SPECIFIC RACKS & ENCLOSURES ARE AVAILABLE AS OPTIONS
 - CONNECT SUPPLEMENTARY EXTERNAL EARTH GROUND TO THE M5 SIZE THREADED NUT

<small>UNLESS NOTED, DIMENSIONS IN MILLIMETERS & TOLERANCES ARE: X ± 1 MM X" ± 1" XX ± 0.5 MM X" ± 0.5" XXX ± 0.20 MM X" ± 0.5" (XX) ± 0.10 MM</small>	DESIGNER & DATE:	
	CHECKER & DATE:	
	STANDARDIZATION & DATE:	
	APPROVER & DATE:	
<small>BRACKETED DIMENSIONS ARE IN INCHES FOR REFERENCE ONLY</small>	ITEM WEIGHT (REFERENCE ONLY):	TOP ASSEMBLY EN6111
	Q	TA-EN6111
<small>INTERPRET PER ASME Y14.20-1994</small>	SCALE 1:6 (DO NOT SCALE DRAWING)	TA-EN6111 <small>SIZE: A3 SHEET 1 OF 1</small>