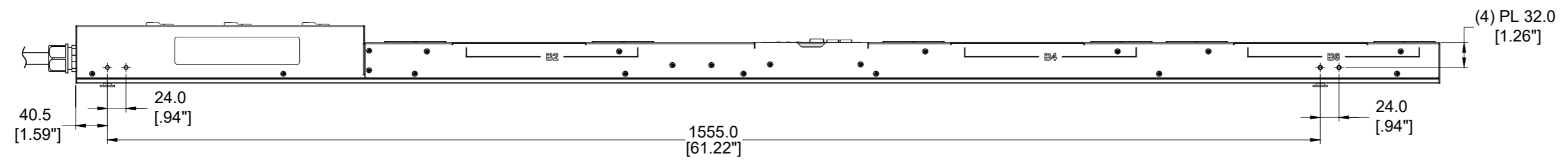
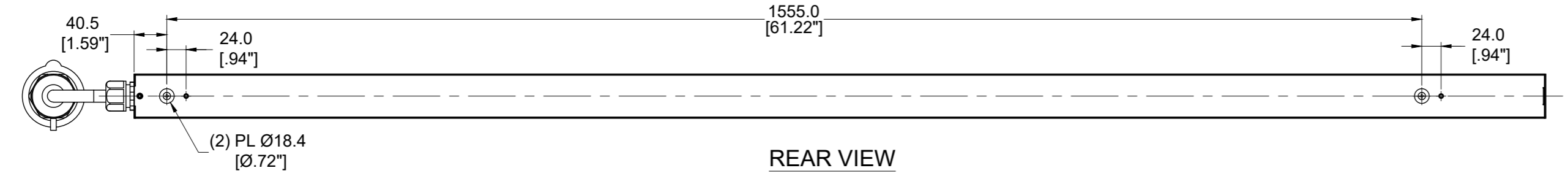


THE INFORMATION CONTAINED IN THIS DRAWING IS THE SOLE PROPERTY OF CIS. ANY REPRODUCTION IN PART OR WHOLE WITHOUT WRITTEN PERMISSION OF CIS IS PROHIBITED.

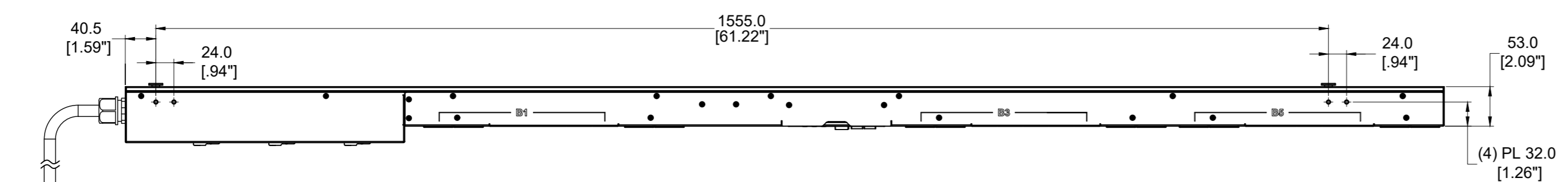
REVISIONS					
ECN/ECD	PLACES	REV.	DESCRIPTION	SIGN	DATE
		E1	Design Release	Jingbo Luo	2019.06.18



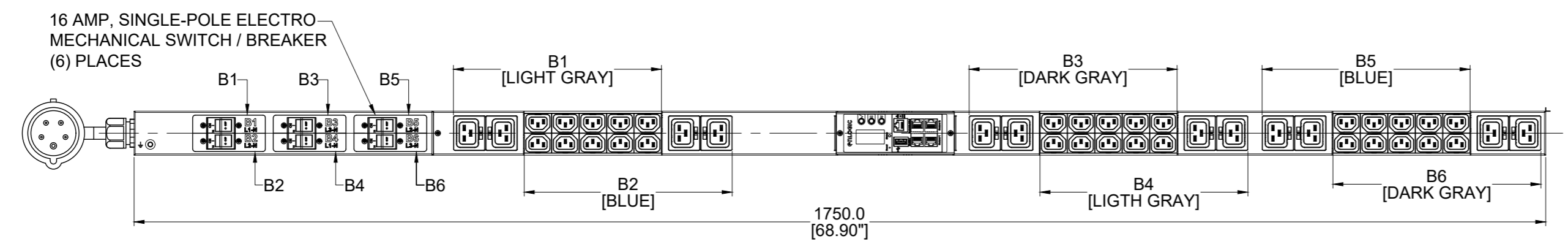
BOTTOM VIEW



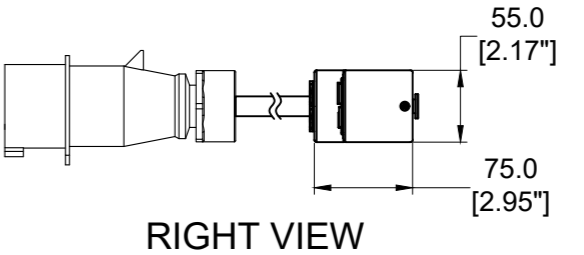
REAR VIEW



TOP VIEW



FRONT VIEW




RIGHT VIEW

SPECIFICATION:

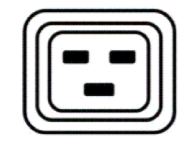
1. STANDARD:

UNIT TYPE:	MONITORED INPUT
ORIENTATION:	VERTICAL, 0U FULL
OUTLET QTY & TYPE:	(30) C13, (12) C19
INPUT VOLTAGE:	200-240/346-415VAC
JAPAN INPUT VOLTAGE:	346-415VAC
INPUT CURRENT:	32A
BREAKER QTY & TYPE:	(6) 16AMP, SINGLE-POLE
INPUT PHASE:	THREE-PHASE WYE
RATED POWER:	22.0 kVA
INPUT PLUG:	IEC 60309 3P+N+E 6H 32A
INPUT POWER CORD:	3m[10'], TOP FEED
REGULATORY STANDARD:	RoHS COMPLIANT

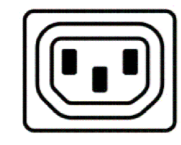
16 AMP, SINGLE-POLE ELECTRO MECHANICAL SWITCH / BREAKER (6) PLACES




PLUG
IEC 60309, 4P 5W, 6H
IP44 (SPASHPROOF)
32A, 346 - 415V MAX RATED INPUT



RECEPTACLES
IEC 60320/C19
16A, 250V MAX RATED OUTPUT



RECEPTACLES
IEC 60320/C13
10A, 250V MAX RATED OUTPUT

UNLESS NOTED, DIMENSIONS IN MILLIMETERS & TOLERANCES ARE: X ± 1 MM X.X ± 0.5 MM X.XX ± 0.20 MM ØX.X ± 0.4 MM ØX.XX ± 0.20 MM	DESIGNER & DATE: Jingbo Luo 2019-06-18	 ASIA PACIFIC CIS WUXI CHINA
	STANDARDIZATION/CHECKER & DATE: Hanson Xu 2019-06-18	
BRACKETED DIMENSIONS ARE IN INCHES FOR REFERENCE ONLY	DFM & DATE: Talon Lv 2019-06-18	DESCRIPTION: Enlogic PDU
	APPROVER & DATE: Hanson Xu 2019-06-18	P/N: TA-ES1811
THIRD ANGLE PROJECTION	ITEM WEIGHT (REFERENCE ONLY):	REV: E1
IF 2D AND 3D DIFFER, 2D SHALL TAKE PRECEDENCE	MATERIAL: Assembly	SCALE 1:5 (DO NOT SCALE DRAWING) SIZE: A2 SHEET 1 OF 2