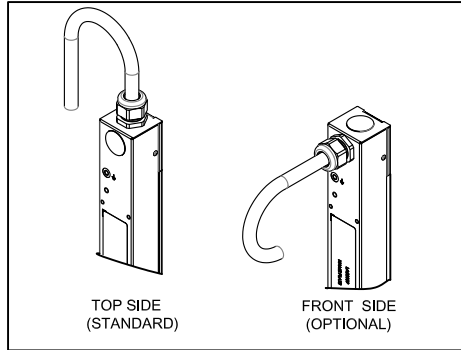
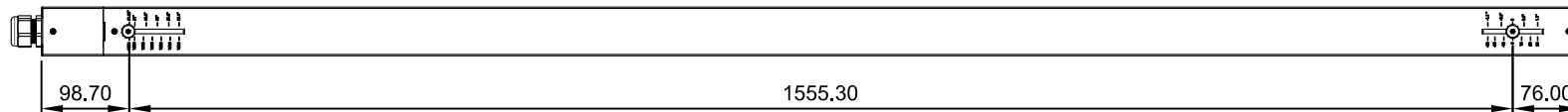
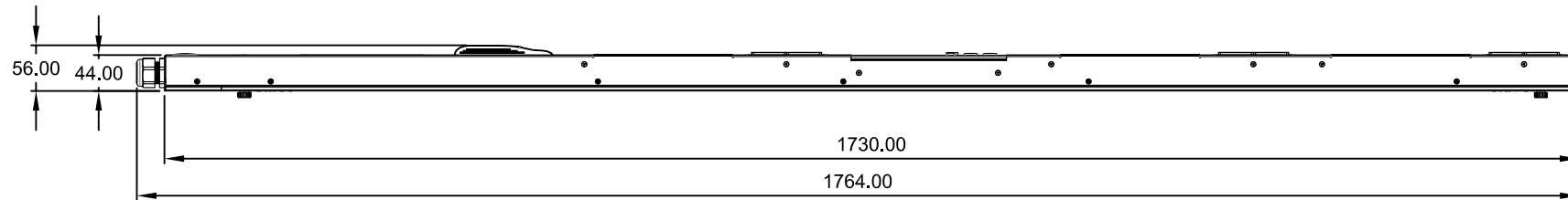
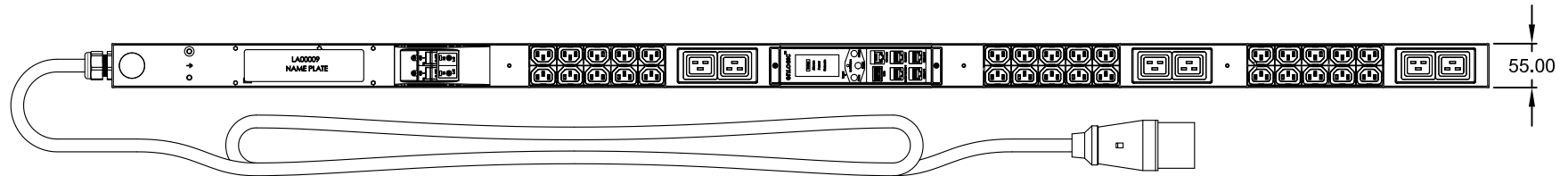
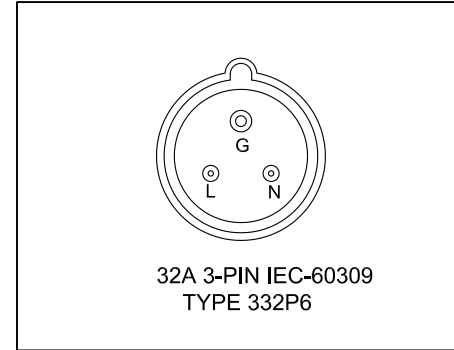


THE INFORMATION CONTAINED IN THIS DRAWING IS THE SOLE PROPERTY OF ENLOGIC. ANY REPRODUCTION IN PART OR WHOLE WITHOUT WRITTEN PERMISSION OF ENLOGIC IS PROHIBITED.

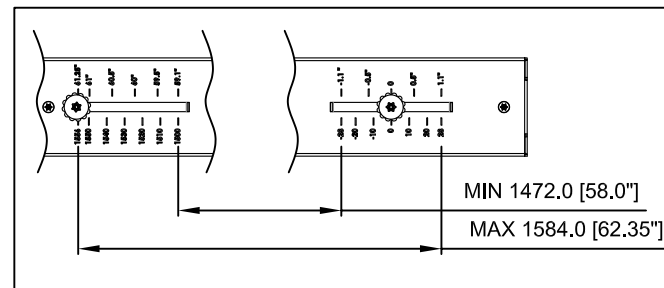
INPUT POWER CORD FIELD REWIREABLE



PLUG DETAIL



ADJUSTABLE TOOLLESS INSTALLATION PEGS



NOTES:

- UNLESS OTHER SPECIFIED, ALL DIMENSIONS ARE IN MM[IN]
- SEE PRODUCT OVERVIEW AND SPECIFICATIONS SHEET FOR FURTHER INFORMATION
- STANDARD INPUT POWER CORD LENGTH IS 3000MM[118.0IN]
- DETAILED INSTALLATION INSTRUCTIONS CAN BE FOUND IN THE QUICK START GUIDE
- BRACKET KITS TO MOUNT TO SPECIFIC RACKS & ENCLOSURES ARE AVAILABLE AS OPTIONS
- CONNECT SUPPLEMENTARY EXTERNAL EARTH GROUND TO THE M5 SIZE THREADED NUT

UNLESS NOTED, DIMENSIONS IN MILLIMETERS & TOLERANCES ARE:
 X ± 1 MM
 X.X ± 0.5 MM
 X.XX ± 0.20 MM
 ØX.XX ± 0.10 MM
 X° ± 10'
 X.X° ± 0.5°
 DIMENSIONS ARE IN INCHES FOR REFERENCE ONLY
 THIRD ANGLE PROJECTION

DESIGNER & DATE:	enLOGIC
CHECKER & DATE:	
STANDARDIZATION & DATE:	DESCRIPTION: TA-EN1105
APPROVER & DATE:	P/N: EN1105
ITEM WEIGHT (REFERENCE ONLY):	REV: 0
INTERPRET PER ASME Y14.100/104	SCALE: 1:6 (NO NET SCALE DRAWING) SIZE: A3 SHEET: 1 OF 1